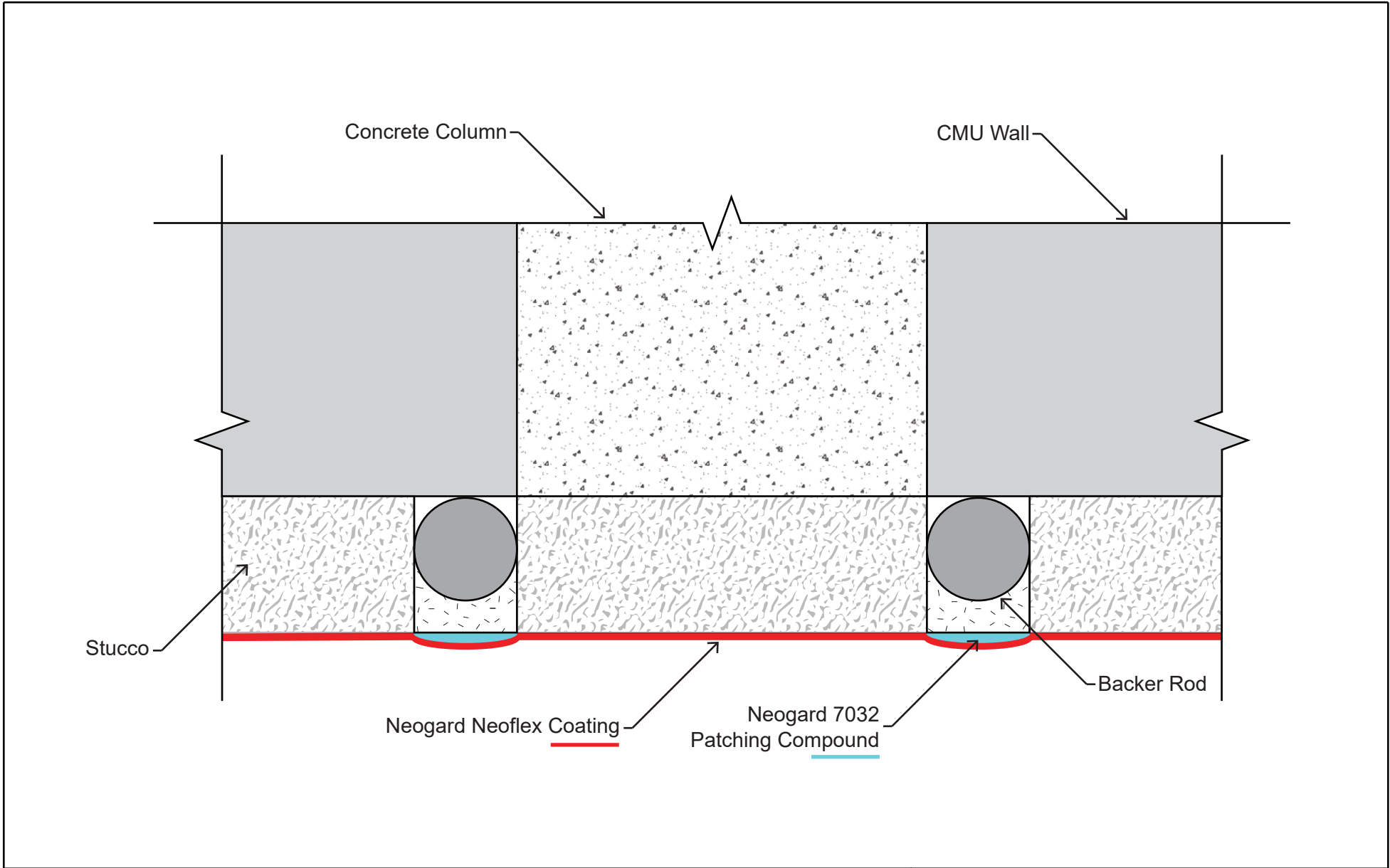


Neocrylic LR

Table of Contents

Detail, Concrete Columns, Version 1	Detail Drawings	English	2
Detail, Concrete Columns, Version 2	Detail Drawings	English	3
Detail, Large Crack Repair	Detail Drawings	English	4
Detail, Small Crack Repair	Detail Drawings	English	5
Detail, Parapet	Detail Drawings	English	6



Note: This detail is utilized in the specification and design of fluid-applied wall coatings, in both new and retrofit applications. It is provided to show a generally recommended procedure for dealing with the condition shown. It will not and cannot provide a specific solution for every condition likely to be encountered in field application. Where field conditions differ, the use of applicable portions of the detail shown or its adaptation by an experienced and conscientious applicator should result in a quality project.



2728 Empire Central
Dallas, Texas 75236
(214)-353-1600
www.neogard.com

Project:

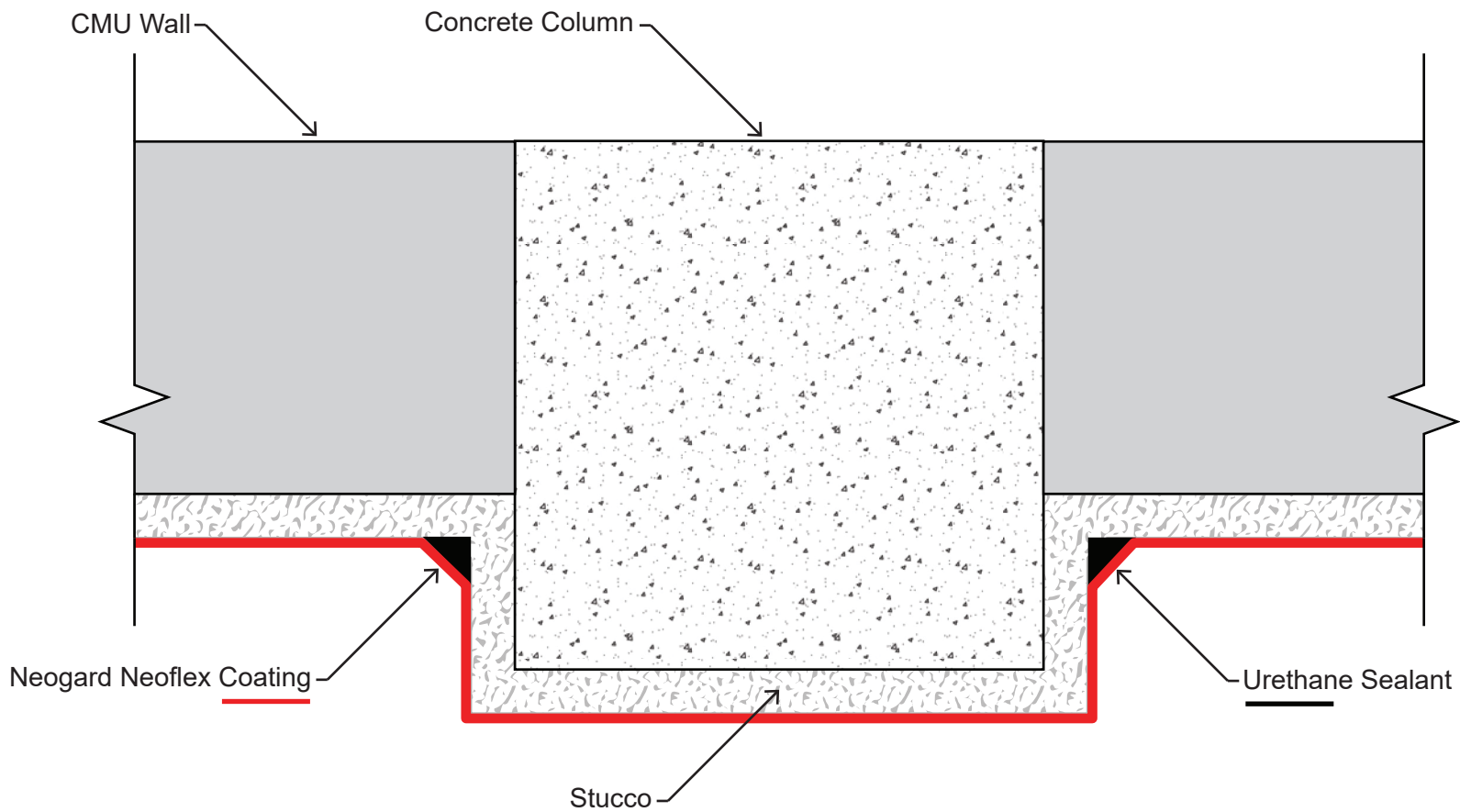
Concrete Columns v1

Drawn by:
K. Kirby

Scale:
NTS

Date:
04/01/2020

Drawing/Index No.
WALL_columns-v1-04012020



Note: This detail is utilized in the specification and design of fluid-applied wall coatings, in both new and retrofit applications. It is provided to show a generally recommended procedure for dealing with the condition shown. It will not and cannot provide a specific solution for every condition likely to be encountered in field application. Where field conditions differ, the use of applicable portions of the detail shown or its adaptation by an experienced and conscientious applicator should result in a quality project.



2728 Empire Central
Dallas, Texas 75236
(214)-353-1600
www.neogard.com

Project:

Concrete Columns v2

Drawn by:

K. Kirby

Scale:

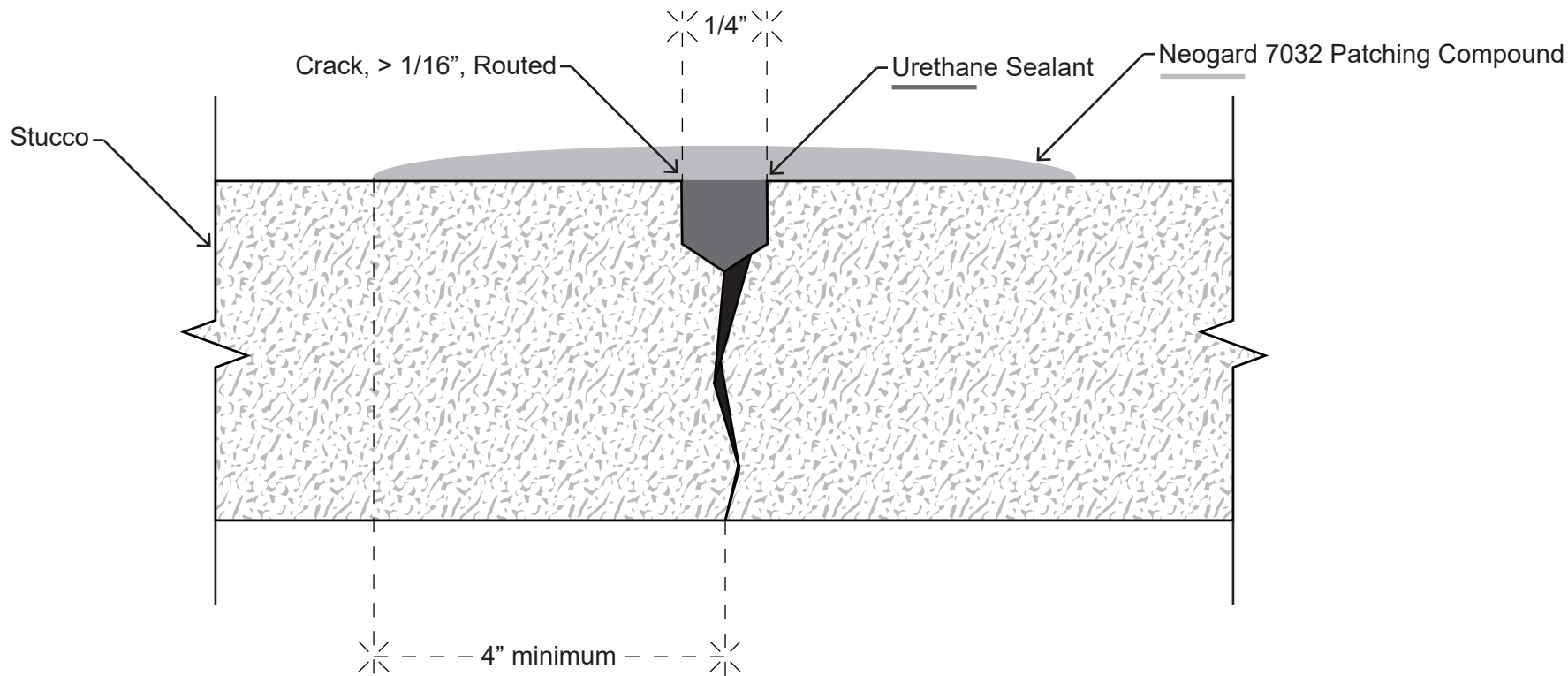
NTS

Date:

04/01/2020

Drawing/Index No.

WALL_columns-v2-04012020



Note: This detail is utilized in the specification and design of fluid-applied wall coatings, in both new and retrofit applications. It is provided to show a generally recommended procedure for dealing with the condition shown. It will not and cannot provide a specific solution for every condition likely to be encountered in field application. Where field conditions differ, the use of applicable portions of the detail shown or its adaptation by an experienced and conscientious applicator should result in a quality project.



2728 Empire Central
Dallas, Texas 75236
(214)-353-1600
www.neogard.com

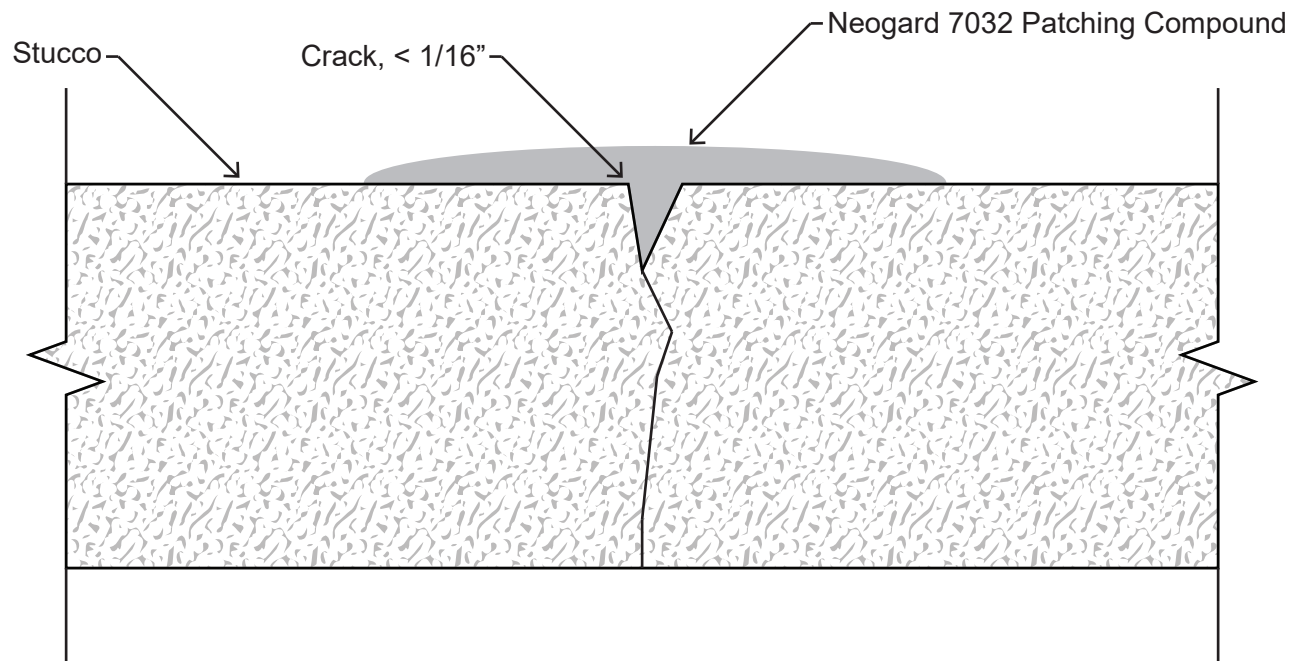
Project:
Crack Repair, > 1/16"

Drawn by:
K. Kirby

Scale:
NTS

Date:
04/01/2020

Drawing/Index No.
WALL_crack-large-04012020



Note: This detail is utilized in the specification and design of fluid-applied wall coatings, in both new and retrofit applications. It is provided to show a generally recommended procedure for dealing with the condition shown. It will not and cannot provide a specific solution for every condition likely to be encountered in field application. Where field conditions differ, the use of applicable portions of the detail shown or its adaptation by an experienced and conscientious applicator should result in a quality project.



2728 Empire Central
Dallas, Texas 75236
(214)-353-1600
www.neogard.com

Project:

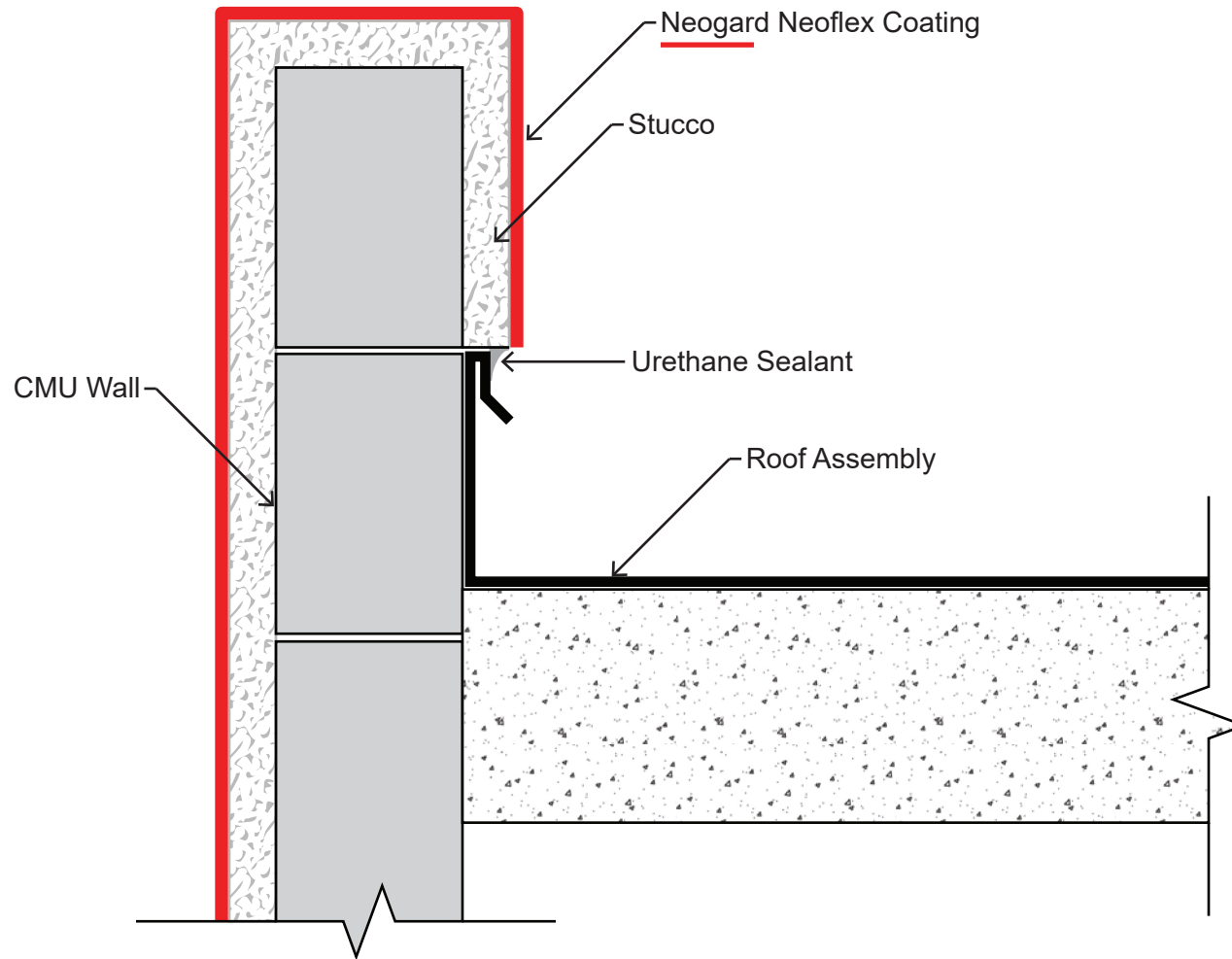
Crack Repair, < 1/16"

Drawn by:
K. Kirby

Scale:
NTS

Date:
04/01/2020

Drawing/Index No.
WALL_crack-1-16-04012020



Note: This detail is utilized in the specification and design of fluid-applied wall coatings, in both new and retrofit applications. It is provided to show a generally recommended procedure for dealing with the condition shown. It will not and cannot provide a specific solution for every condition likely to be encountered in field application. Where field conditions differ, the use of applicable portions of the detail shown or its adaptation by an experienced and conscientious applicator should result in a quality project.



2728 Empire Central
Dallas, Texas 75236
(214)-353-1600
www.neogard.com

Project:

Parapet Waterproofing

Drawn by:
K. Kirby

Scale:
NTS

Date:
04/01/2020

Drawing/Index No.
WALL_parapet-04012020